

LED BULKHEAD X-RSL3M



A self testing, high output LED with frosted diffuser, emergency bulkhead. The X-RSL3M tests the battery voltage and LED output regularly and signals the results so that you can easily maintain your testing records. For internal environments this low profile unit can be fitted with a suspended legend kit to create an emergency exit sign.



X-RSL3M Options

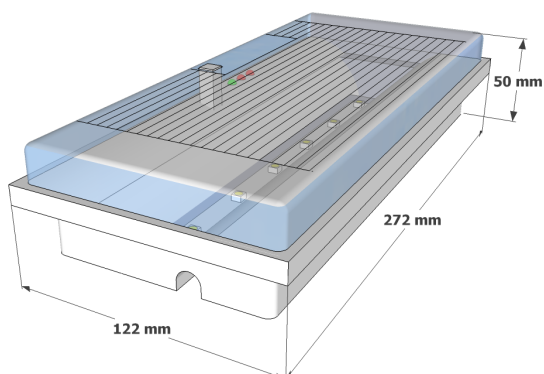
/LGD	Clip on suspended legend arrow down
/LGD L	Clip on suspended legend arrow left
/LGD R	Clip on suspended legend arrow right
/RK	Semi recess kit
ULK	Universal legend kit

LED

- IP42 Internal (outside sheltered)
- Polycarbonate / ABS construction
- frosted diffuser
- Self Test LEDs
- Can be semi-recessed
- Switchable maintained / non-maintained
- 0°C to +25°C operating temperature

IP42

CE



Adhesive Universal Legend Kit available