



This innovative self-contained LED emergency Downlighter features a single point high illumination white LED with an optical lens for either corridor, open area or flood. Suitable for modern buildings where high performance and a minimum maintenance cost are essential.

- ✓ High lumen output
- ✓ Low power consumption
- ✓ 3 optic options, standard, open area or corridor
- ✓ IP54 (Recess mounting open area & corridor)
- ✓ DALI and Self-Testing options
- ✓ 0°C + 25°C operating temperature
- ✓ 3W High Output – 160mm ceiling void (43mm cutout)

M MAINTAINED	NM NON MAINTAINED
ST SELF TESTING	SC SELF CONTAINED
WIRELESS	CBS CENTRAL BATTERY SYSTEM
DALI ADDRESSABLE	3* YEARS WARRANTY
IP40	3h

X-MRD3 Options	
/NM	Non-maintained
/ST	Self-test
M/DALI	Maintained DALI (Addressable)
/IP	Wireless Communication (Remote Box)
/SL/50	50V AC/DC (central battery)
/SL/110	110V AC/DC (central battery)
/SL/230	230V AC/DC (static inverter)
/HO	50-230V AC/DC hold off relay
/BK	Black Finish

Downlighter LED

X-MRD3

V1.21



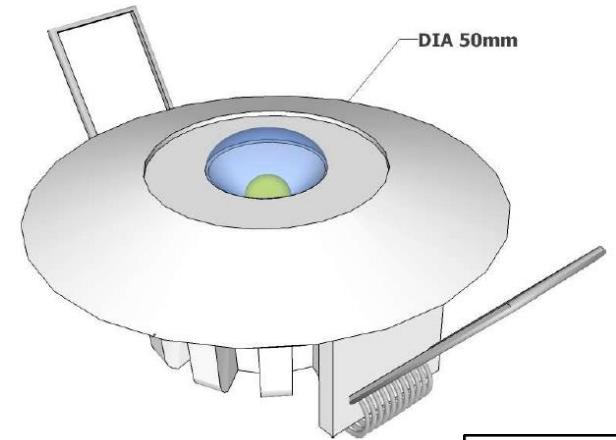
Open area lens



Surface mount box



Corridor lens



DIA 50mm



* Limited warranty, enquire for full details