



**M**  
MAINTAINED

**NM**  
NON MAINTAINED

3h

IP20

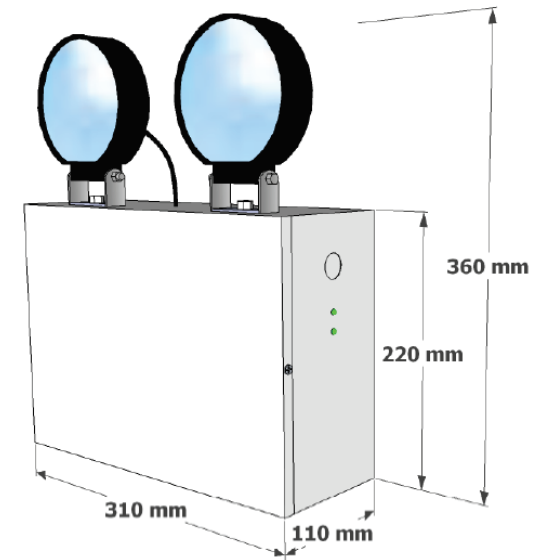
3  
YEARS  
WARRANTY\*

Twinspot  
X-TSL

V1.21



The X-TSL, a high output LED Twinspot providing a long lasting solution to emergency lighting in high and large internal areas.



- ✓ Independently adjustable heads
- ✓ 3 hour emergency output
- ✓ Multiple mounting orientations
- ✓ IP20
- ✓ High LED output heads
- ✓ 0°C to +40°C operating temperature

X-TSL Options	
/3NM	Non-maintained
/3M	Switchable Maintained
/BK	Black Finish
/T	Delay on timer

\* Limited warranty, enquire for full details

Ringtail Lighting maintains a policy of continuous development and reserves the right to change the details shown on this data sheet without notice. The contents are intended for guidance only.

